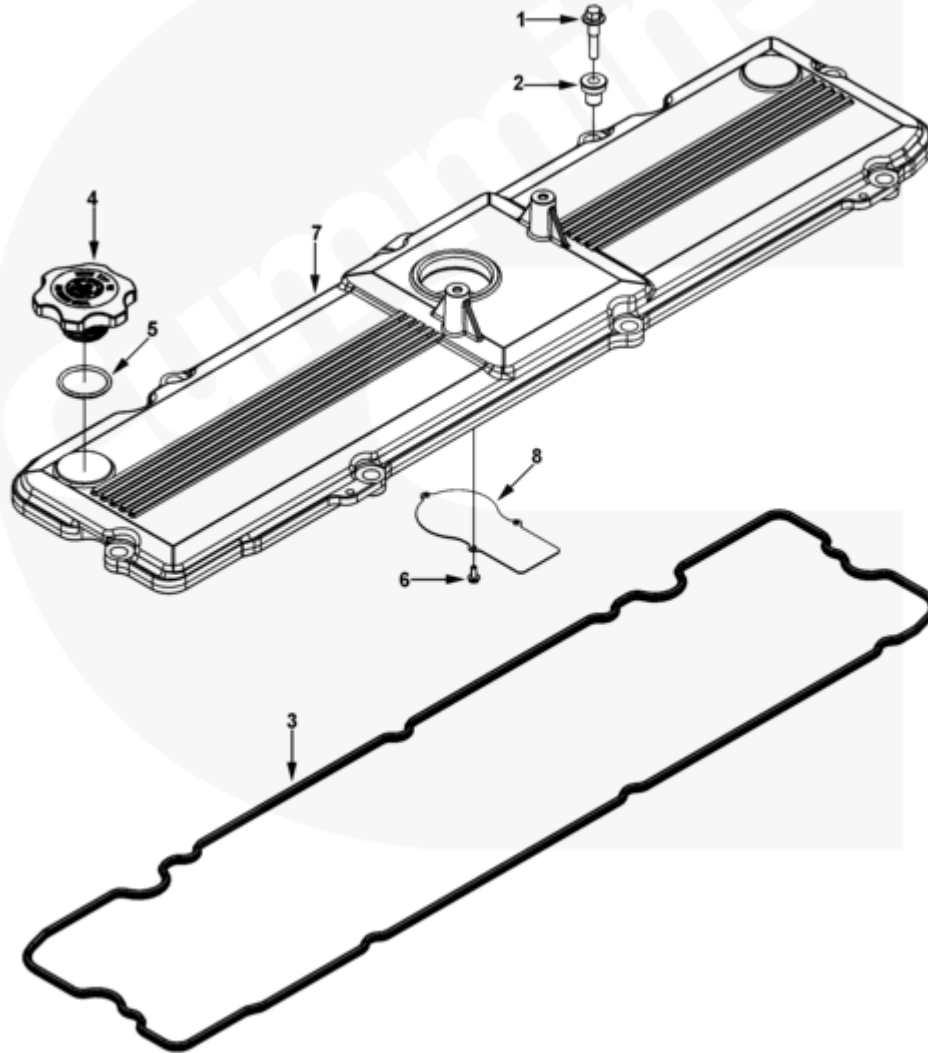




Parts Catalog - Option Detail

| Electronic Parts Catalog - Option Detail | | | | |
|--|--|---------|-----------|-----------|
| Option | Group | Graphic | Film Card | Date |
| VC9323 | 03.01.1 | vc954gi | Z | 27-JUN-05 |
| Engines | 6C8.3, C GAS PLUS CM556, G8.3, G8.3 CM558, GTA8.3 CM558, ISC CM2150, ISC CM554, ISC CM850, ISC8.3 CM2250, ISC8.3 G CM2180 C101, ISL CM2150, ISL CM554, ISL CM850, ISL G CM2180, ISL8.9 CM2150 L110, ISL8.9 CM2880 L112, ISL9 CM2150 SN, ISL9 CM2250, ISL9 CM2350 L101, ISL9 CM2350 L111, ISLE4 CM850, L GAS PLUS CM556, L8.9, L8.9 L121, L8.9G CMOH2.0 L125B, L9 CM2350 L116B, L9 CM2350 L119B, L9 CM2350 L120C, L9 CM2350 L123B, L9.3 L105, L9.5 L117, L9N CM2380 L124B, QSC8.3 CM2250, QSC8.3 CM2880 C102, QSC8.3 CM554, QSC8.3 CM850(CM2850), QSL9 CM2250, QSL9 CM2250 L115, QSL9 CM2350 L102, QSL9 CM2350 L107, QSL9 CM2350 L118, QSL9 CM2350 L122, QSL9 CM554, QSL9 CM850(CM2850), QSL9 G CM558, QSL9 M CM2250 L106, QSL9.3 CM2880 L113 | | | |



vc954gi

SMALL | MEDIUM | LARGE

| Cart | Ref No | Part Number | Part Description | Required | Remarks |
|------------------------------|--------|-------------------------|-------------------------------|----------|--|
| View My Cart | | | | | |
| | | VC9323 | Valve Cover | | MR - COVER, VALVE...(More) |
| | | | | | Engine Family: C and L |
| | | | | | Series |
| | | | | | Engine Design Phase: Pegasus |
| | | | | | Oil Fill Provisions: Yes |
| | | | | | Oil Fill Location: Front |
| | | | | | - Centerline of Crank to |
| | | | | | Centerline of Filler |
| | | | | | (mm): TBD |
| | | | | | - Centerline of Engine to |
| | | | | | Centerline of Filler |
| | | | | | (mm): -25 |
| | | | | | Front Face of Block to |
| | | | | | Centerline of Filler |
| | | | | | (mm): -80 |
| | | | | | Noise Supression Provision: |
| | | | | | Yes |
| | | | | | Valve Cover Color: Base |
| | | | | | Engine |
| | | | | | Isolated Gasket System: Yes |
| | | | | | Integrated Breather: Yes |
| | | | | | Engine Compression Brake |
| | | | | | Compatible: No |
| | | | | | Logo: Cummins |
| | | | | | |
| <input type="checkbox"/> | 1 | 3900632 | Hexagon Flange Head Cap Screw | 8 | M8 X 1.25 X 35. |
| <input type="checkbox"/> | 2 | 3959799 | Vibration Isolator | 8 | |
| <input type="checkbox"/> | | 3967770 | Valve Cover | 1 | Purchase Individual Parts |

| | | | | | |
|--------------------------|---|-------------------------|--------------------------|---|-------------------------|
| <input type="checkbox"/> | 3 | 3959798 | Valve Cover Gasket | 1 | |
| <input type="checkbox"/> | | 3968202 | Cap Filler | 1 | |
| | 4 | 3968283 | Filler Cap | 1 | Service As 3973511 |
| <input type="checkbox"/> | 5 | 3990084 | O-Ring Seal | 1 | |
| <input type="checkbox"/> | | 3970865 | Valve Cover | 1 | |
| <input type="checkbox"/> | 6 | 3931532 | Self Tapping Metal Screw | 3 | |
| <input type="checkbox"/> | 7 | 3967462 | Valve Cover | 1 | Service As 3970865 |
| <input type="checkbox"/> | 8 | 3967524 | Breather Baffle | 1 | Must Buy Cover Assembly |

© 2019 Cummins Inc., Box 3005, Columbus, IN 47202-3005 U.S.A.
Terms of Use and Disclaimers | Recommended System Requirements
Need Assistance? Please click on the Contact Us button in the top right corner of any page.